

# Eclipse Architectural®

exterior folding door systems

*Beautiful doors for beautiful spaces*

**Eclipse TwinPoint Lock** • LT2 Model For Wood Doors

**Eclipse Swing Handle** • DF3 (Aluminum) & DF4 (Stainless Steel) Models

## DSGroup

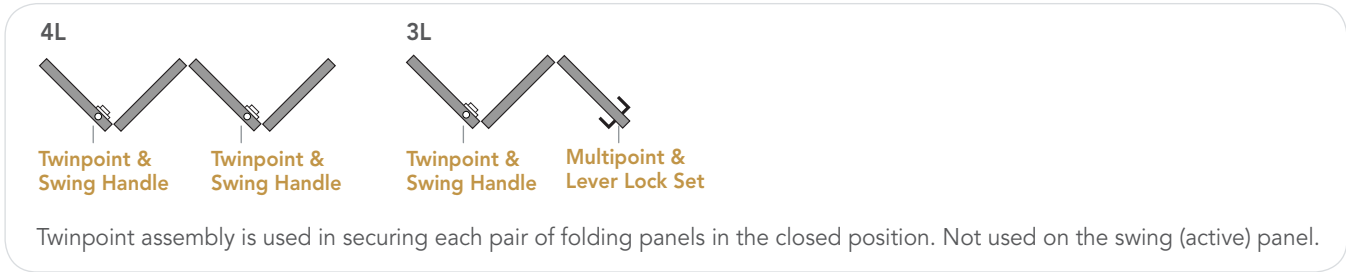
[www.theDSgroup.com](http://www.theDSgroup.com)

**Tomorrow's Innovative Solutions for Today's Doors & Windows**

**The DS Group Of Companies:** Draftseal®, Kristrack®, Eclipse Architectural® & DSD Hardware

# Specifications

Minimum Door Thickness	1-3/8" (35 mm)
Throw length	1" (25 mm)
Uses	Folding, French & Sliding



# Function

The LT2 operates easily with a simple handle rotation, driving a 1" (25 mm) throw into the head and sill. This makes it one of the most secure bolt locks on the market. An installed Twinpoint system is completely accessible and serviceable. For people with mobility impairments, the Twinpoint offers the security of two dropbolts, but without the access problems associated with dropbolts being too high or low to reach, and hard-to-grip door handles.

# Style

LT2 has the sleek and clean styling synonymous with all Eclipse products. Their low profile allows any folding system, such as F3, E2, E3 or E4 to stack neatly, without intrusive door furniture getting in the way. Eclipse Twinpoint locks are fully concealed within the door stile, avoiding long or hard-to-reach dropbolts fixed to the door face, particularly on tall doors. The Eclipse Twinpoint is an unobtrusive, functional and sleek locking solution.

# Testing

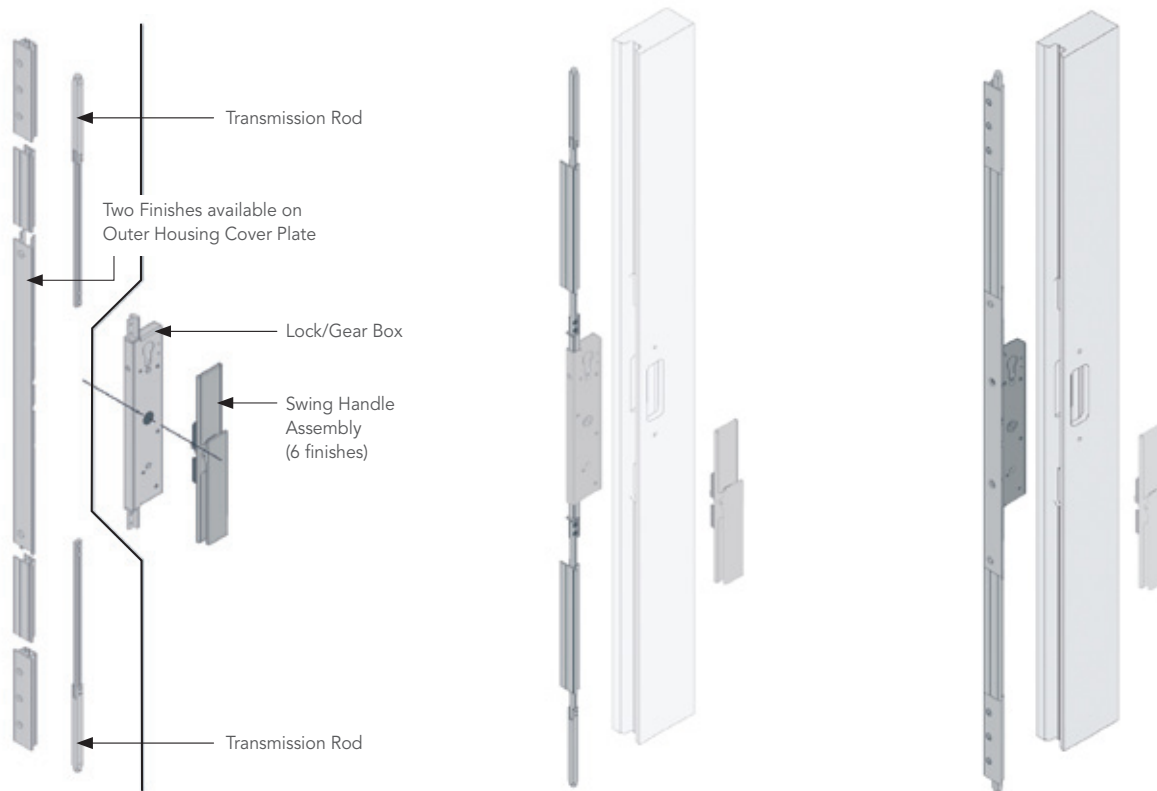
The Centor LT2 has been tested to 100,000 cycles at maximum configuration to ensure smooth working order beyond their 10 year warranty period. The LT2 Twinpoint locking system has also been exposed to dust, mud, sand and corrosive atmospheres to ensure they stand up to real life use. This includes exposure to salt spray for seaside installations.



# LT2 TwinPoint Lock & DF3 (Aluminum) or DF4 (Stainless Steel) Swing Handles

NO SCALE

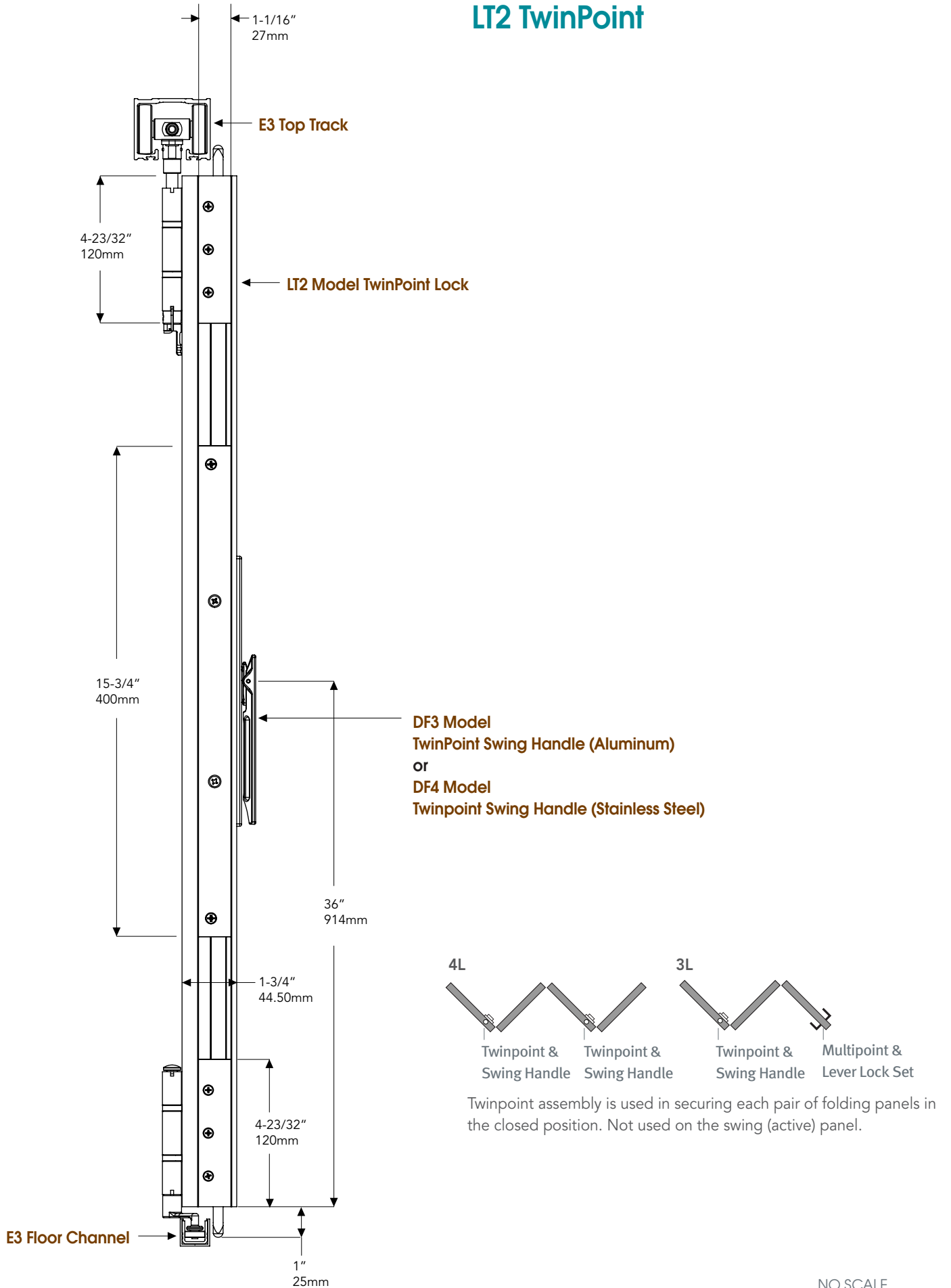
## Kit Components For Twinpoint Assembly



**PLEASE NOTE:** When ordering complete TwinPoint Assembly, you are required to order: transmission rod & cover plate, lock/gear box, swing handle & cups.

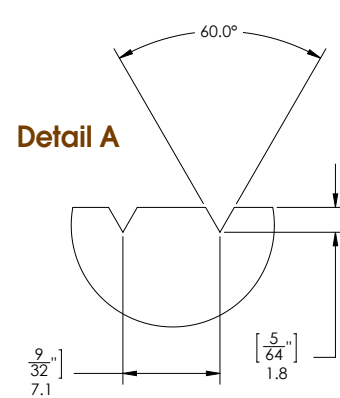
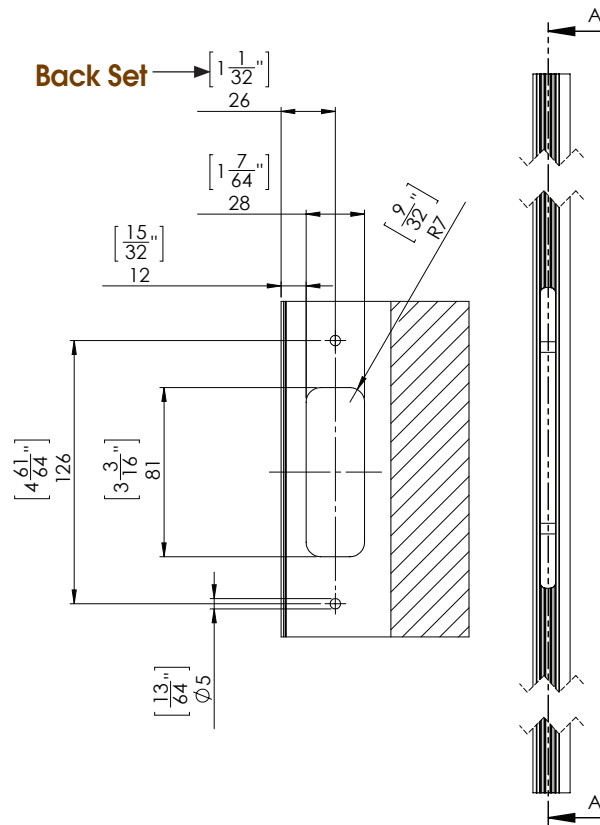
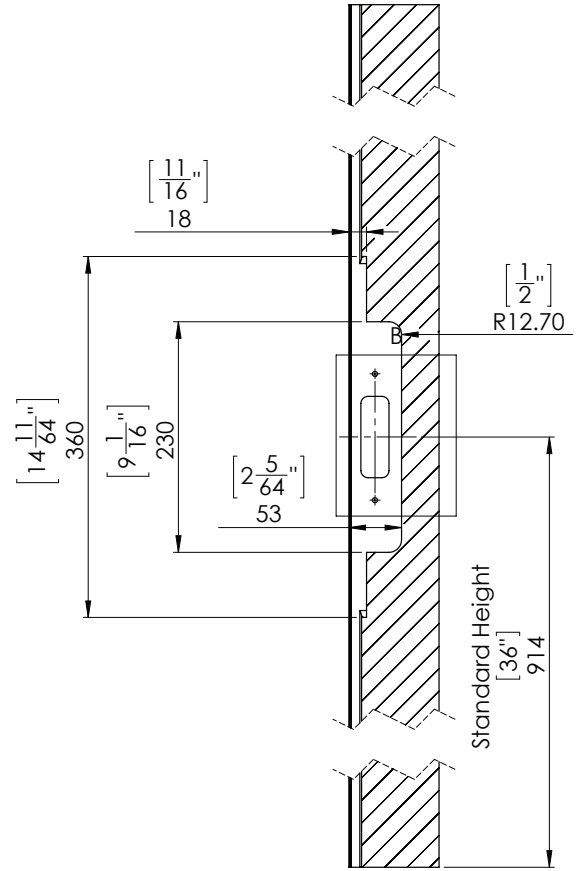
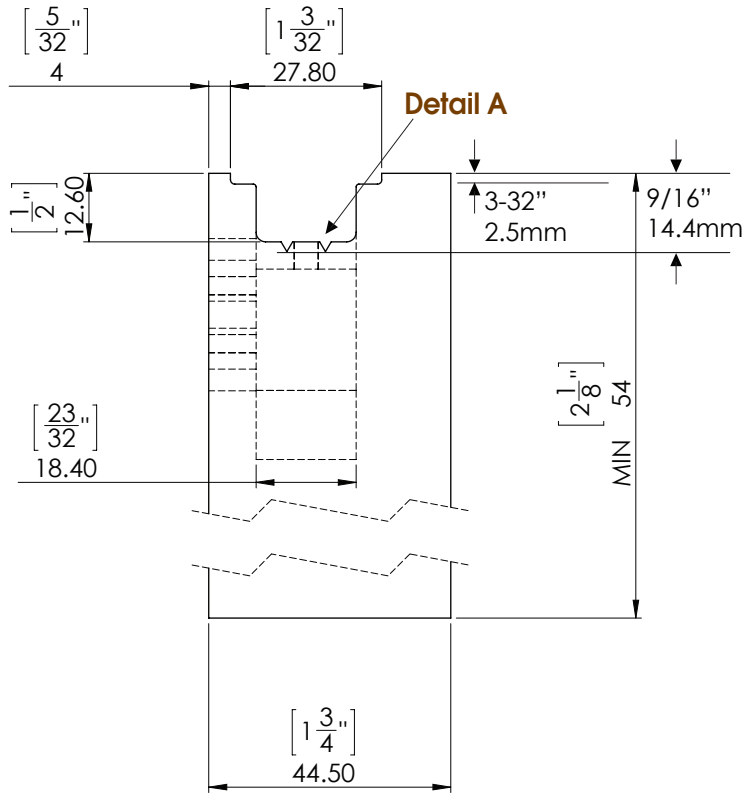
Product Number	Description
<b>EC TwinPoint Lock (LT2 Model) for use with DF3 (Aluminum) &amp; DF4 (Stainless Steel) Models</b>	
ECLT2TRSN0924X	TwinPoint transmission rod, cover plate and strike plate for 96" (2438mm) door height / brushed metallic aluminum finish
ECLT2TRSN0924Y	TwinPoint transmission rod, cover plate and strike plate for 96" (2438mm) door height / black anodized finish
ECLT2TRSN0930X	TwinPoint transmission rod, cover plate and strike plate for 120" (3048mm) door height / brushed metallic aluminum finish
ECLT2TRSN0930Y	TwinPoint transmission rod, cover plate and strike plate for 120" (3048mm) door height / black anodized finish
<b>EC Lock Gear Box for EC TwinPoint (LT2 Model)</b>	
ECLT2NS	Lock/gear box for EC TwinPoint transmission rod, cover plate & handle
<b>EC Swing Handle DF3 (Aluminum) Model For EC TwinPoint (LT2 Model)</b>	
ECDF3SHNAL	DF3 swing handle aluminum, black powder coat
ECDF3SHNAPCN	DF3 swing handle aluminum, satin aluminum powder coat
ECDF3SHNAQ	DF3 swing handle aluminum, bronze powder coat
ECDF3SHNAW	DF3 swing handle aluminum, white powder coat
<b>EC Swing Handle DF4 (Stainless Steel) Model For EC TwinPoint (LT2 Model)</b>	
ECDF4SHNSOL	DF4 swing handle stainless steel, PVD bronze finish
ECDF4SHNSS	DF4 swing handle stainless steel, brushed finish
<b>Cup for Sill or Head (Mandatory for Sill, Optional for Head)</b>	
ECLTBC8SS	Brushed S.S. Finish
ECLTBC8SOL	PVD Bronze Finish
<b>TL2 Router Bit</b>	
ECLT2RB	Router bit for LT2 TwinPoint Lock Assembly
<b>Eclipse E3 Drilling Jig for E3 Hinge placement on door</b>	
KTE3DJ	Eclipse E3 drilling jig for wood doors
<b>Strike Plate for Head (For replacement purposes only) One strike supplied with Twinpoint (Standard)</b>	
ECLTSP8SS	Brushed S.S. Finish
ECLTSP8OL	PVD Bronze Finish

# LT2 TwinPoint



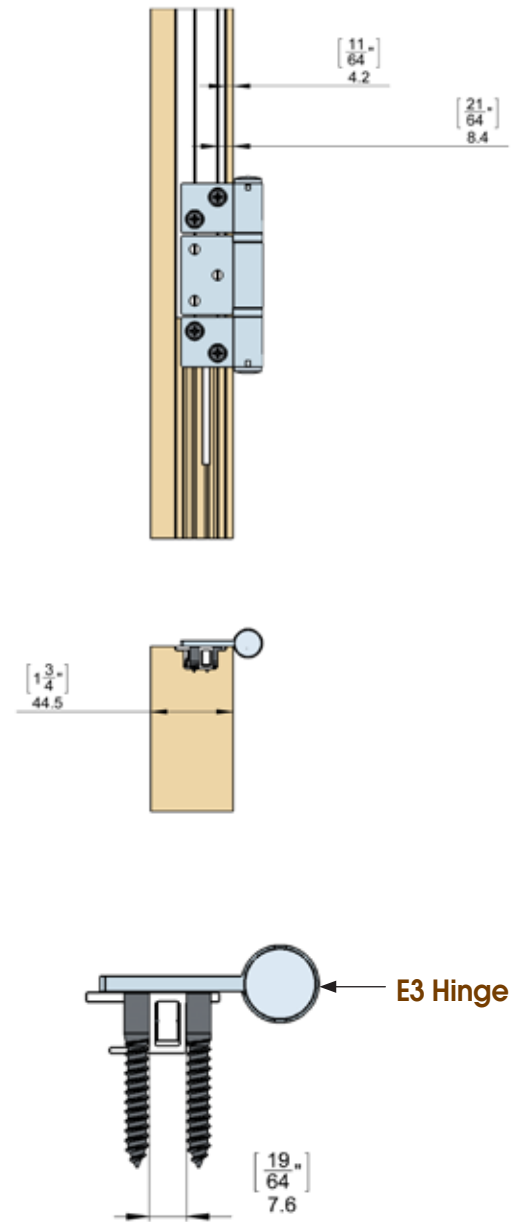
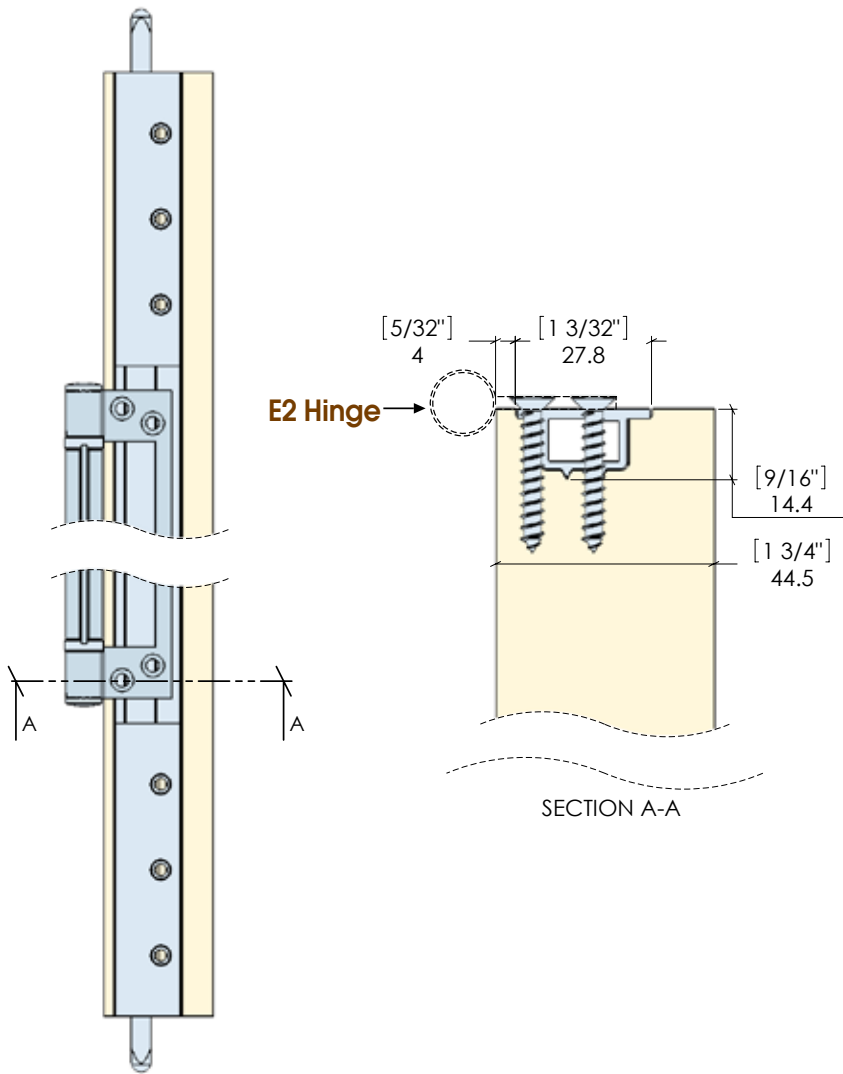
NO SCALE

# Wood Stile Route Profile (Outswing Application) For LT2 Model

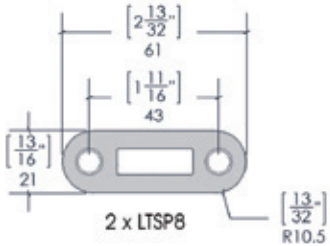


NO SCALE

# E2 / E3 Hinge Placement Over TwinPoint

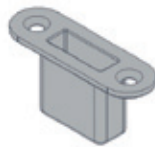


## Strike Plate For Head



ECLTSP8SS Brushed S.S. Finish  
ECLTSP8OL PVD Bronze Finish

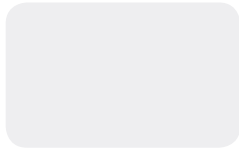
## Cup For Sill Or Head



ECLTBC8SS Brushed S.S. Finish  
ECLTBC8SOL PVD Bronze Finish

NO SCALE

## DF3 (Aluminum TwinPoint Swing Handle) Finishes



White Powder Coat



Satin Aluminum Powder Coat

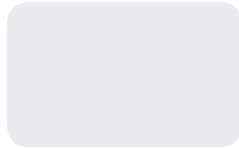


Black Powder Coat



Bronze Powder Coat

## LT2 TwinPoint Housing Cover Plate Finishes



Brushed Metallic Aluminum



Black Anodized Aluminum

**PLEASE NOTE:** For technical reasons associated with color reproduction, the colors shown on this brochure give only an indication of color & finish. No warranty or guarantee can be given that they will exactly match the product as supplied.

## DF4 Finishes (On Stainless Steel)



Brushed  
Stainless Steel

PVD Bronze over  
Stainless Steel

## Finishes & Materials

The Twinpoint door furniture is available in a range of finishes to suit any door or décor. The LT2 Twinpoint locks are made from durable, corrosion-resistant materials.



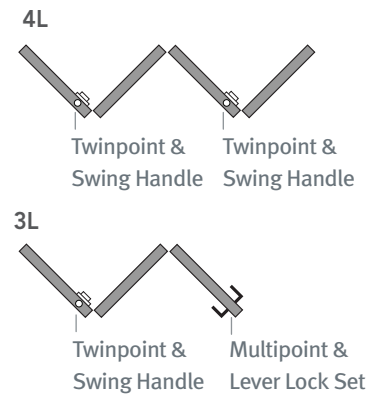
### LT2 Model Twinpoint

**LT2 Transmission Housing**  
Brushed Metallic Aluminum or  
Black Anodized finish

### Swing Handle - Two Models

DF3: Aluminum handle (4 finishes)

DF4: Stainless Steel Handle (2 finishes)



Twinpoint assembly is used in securing each pair of folding panels in the closed position. Not used on the swing (active) panel.

NO SCALE



Low profile design allows folding doors to stack neatly

# DS Group

[www.theDSgroup.com](http://www.theDSgroup.com)

**Tomorrow's Innovative Solutions for Today's Doors & Windows**

**The DS Group Of Companies: Draftseal®, Kristrack®, Eclipse Architectural® & DSD Hardware**

---

#### **Head Office & Manufacturing Centre - Vancouver, Canada**

7470 Buller Avenue, Burnaby, B.C. V5J 4S5 Canada

Phone: (604) 451-1080 • Fax: (604) 451-1140 • [info@theDSgroup.com](mailto:info@theDSgroup.com)

Outside Vancouver, B.C., please use our toll free numbers: Phone: 1-888-520-9009 Fax: 1-800-567-2887

#### **Branch Office & Manufacturing Centre - Toronto, Canada**

1545 Britannia Road East, Unit 25, Mississauga, Ontario L4W 3C6 Canada • Local Fax: (905) 696-9623

#### **Branch Office & Distribution Centre - Los Angeles, California**

7250 Bandini Blvd, Unit 107, Commerce, CA 90040 USA • Local Fax: (323) 246-4760

#### **Satellite Offices**

Oregon & Hawaii, USA

The DS Group is the brand image of A.K. Draft Seal Ltd.