

# Eclipse Architectural<sup>®</sup>

exterior folding door systems

*Beautiful doors for beautiful spaces*

## INSTALLATION INSTRUCTIONS

**ECLIPSE TWINPOINT LOCK • LT2 MODEL** FOR WOOD DOORS

**ECLIPSE SWING HANDLE • DF3 (ALUMINUM) & DF4 (STAINLESS STEEL) MODELS**

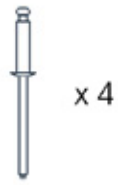
**DS**Group

[www.thedsgroup.com](http://www.thedsgroup.com)

Tomorrow's Innovative Solutions for Today's Doors & Windows

The DS Group of Companies: DraftSeal, KrisTrack, Eclipse Architectural & DSD Hardware

A



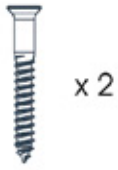
x 4

B



x 2

C

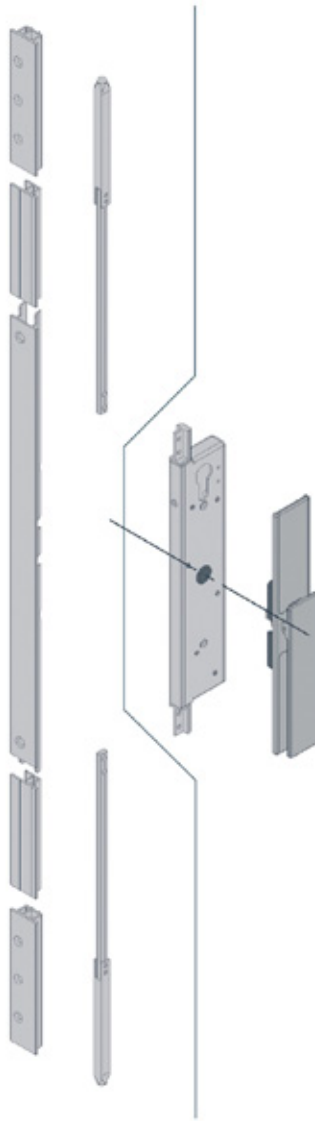
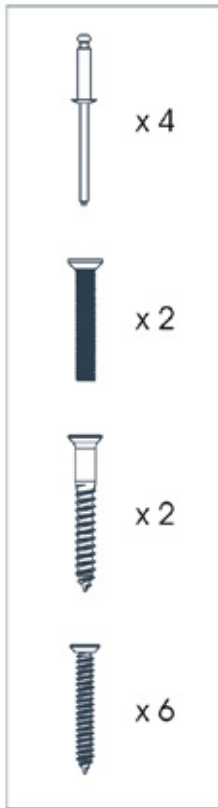


x 2

D



x 6



E



x 2

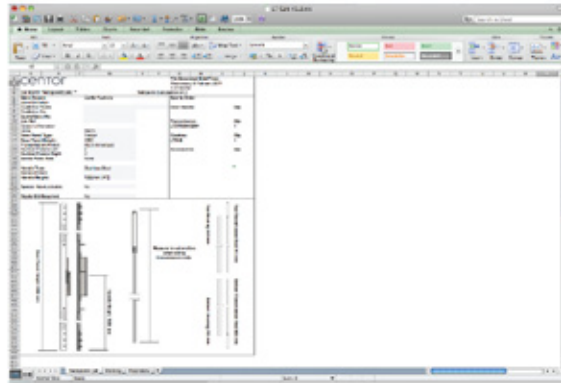
F



x 2



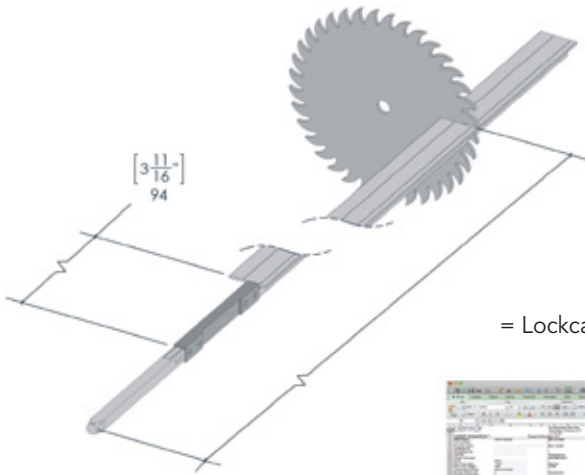
# LOCKCALC LT LA.XLS



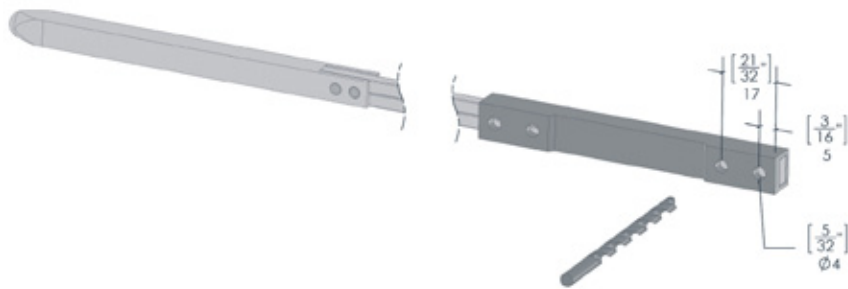
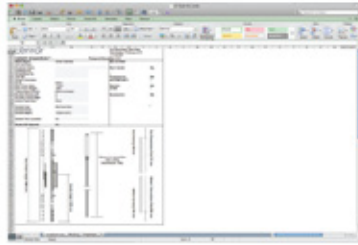
[www.eclipsarchitectural.com](http://www.eclipsarchitectural.com)



NO SCALE

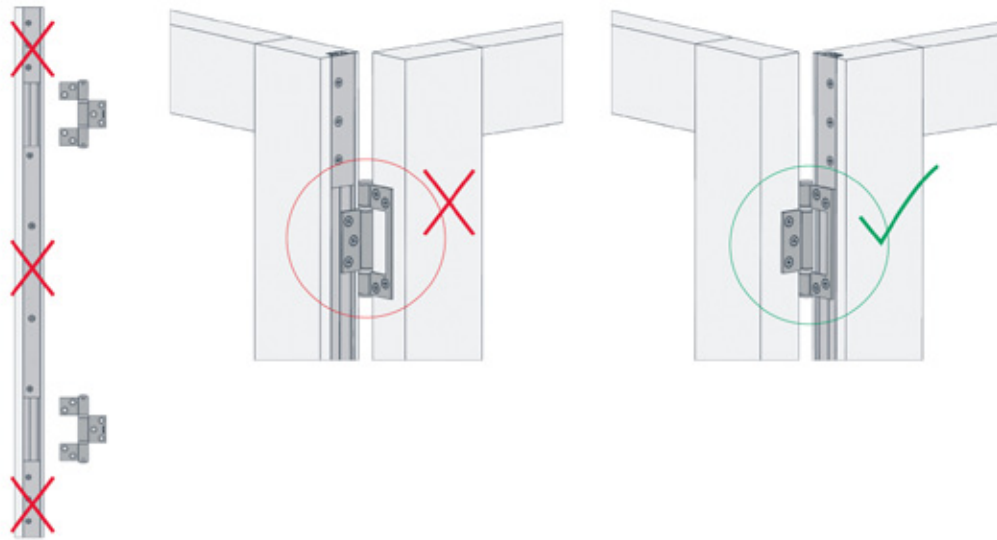


= Lockcalc LT LA.xls

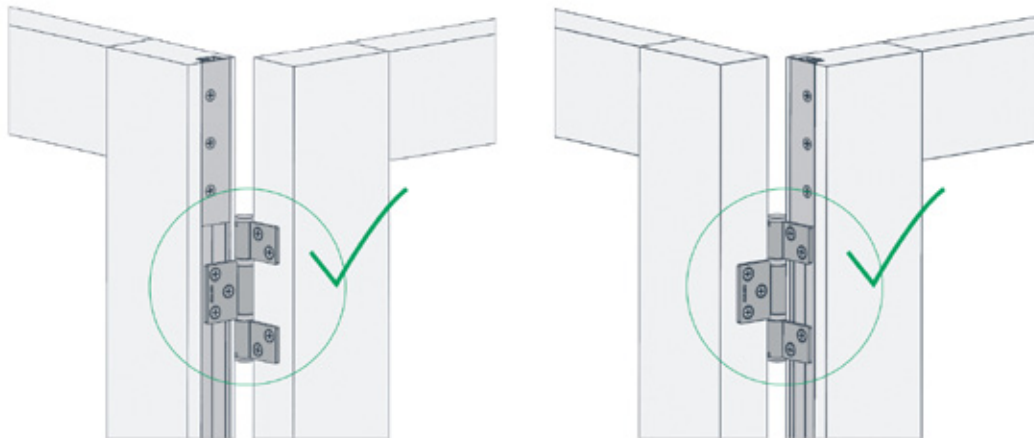


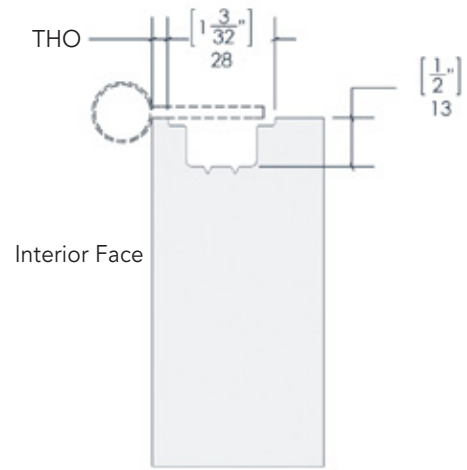
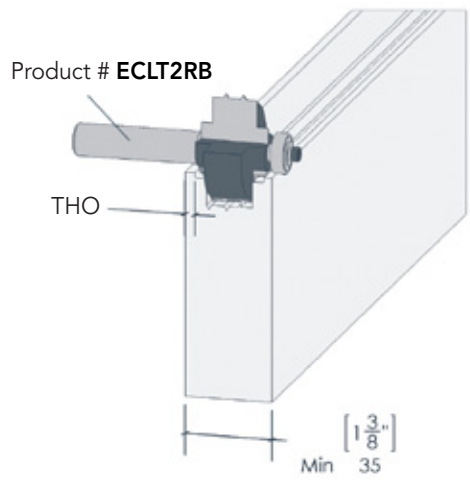
NO SCALE

**E2**

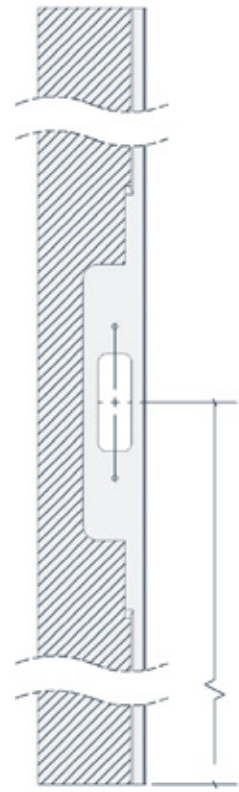


**E3**

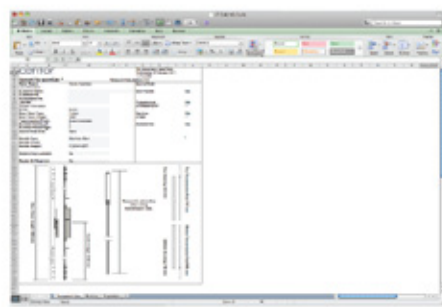


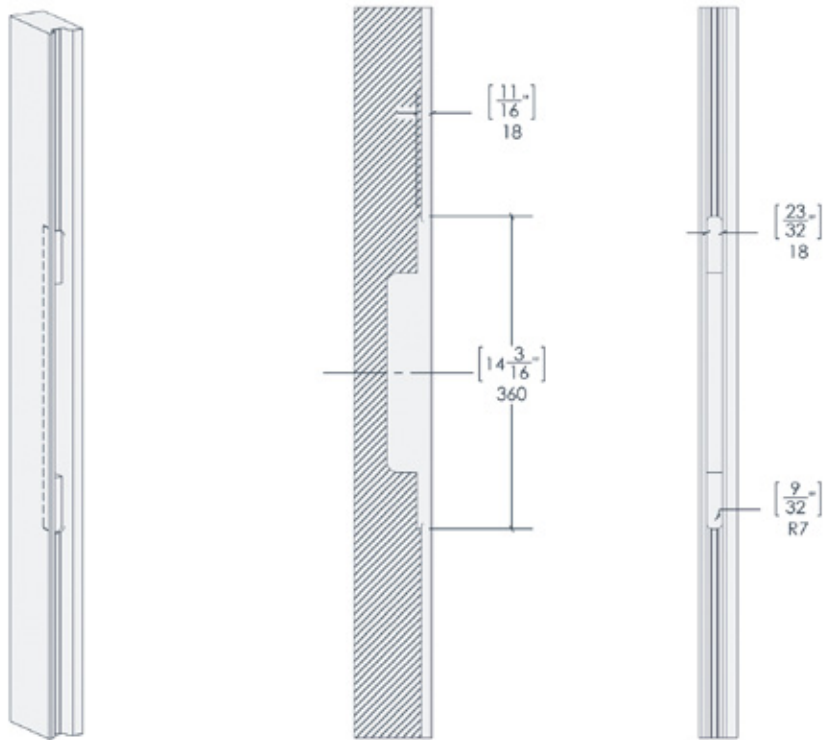
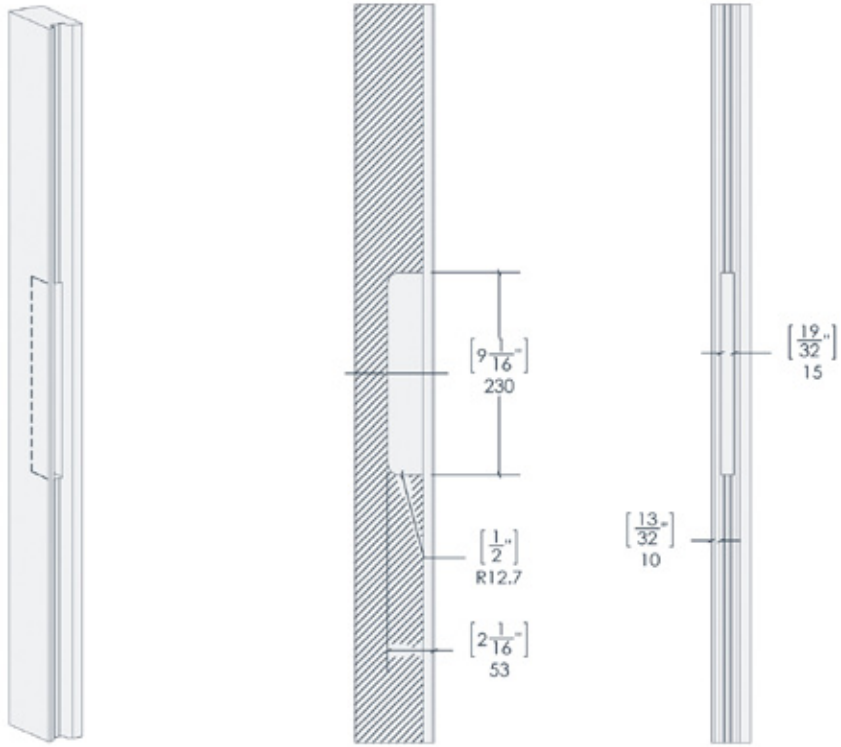


THO (TWINPOINT HINGE OFFSET)	THICKNESS OF DOOR PANEL	PROGRAM
5/32" (4mm)	1-3/4" (44.45mm)	E2 / E3 / F2 / F3
7/16" (11mm)	2-1/4" (57.15mm)	E4

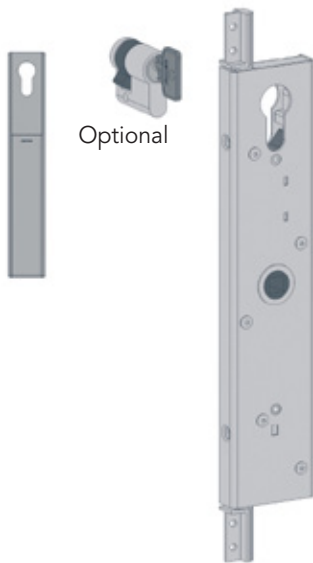
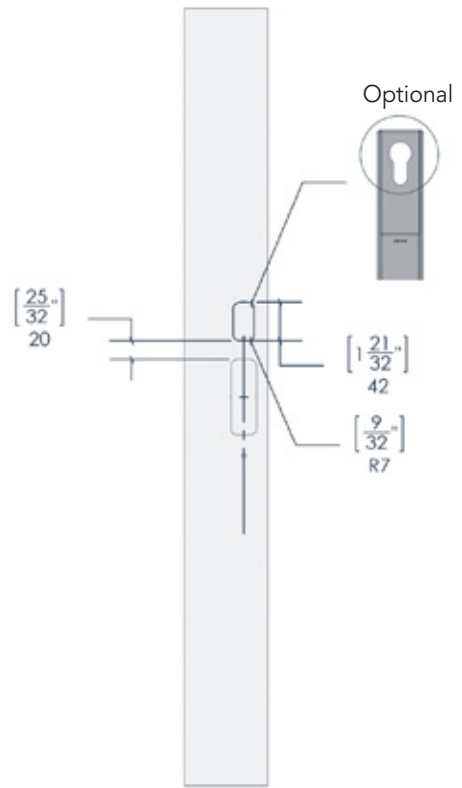
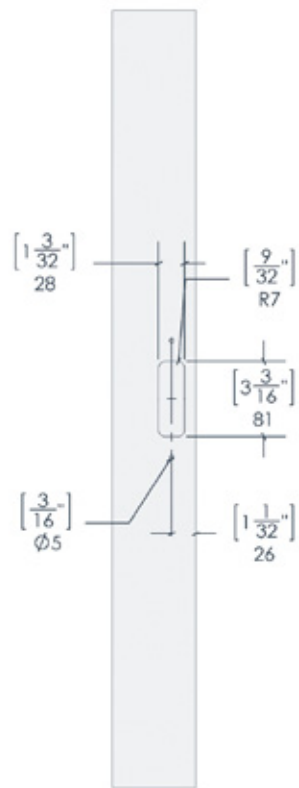


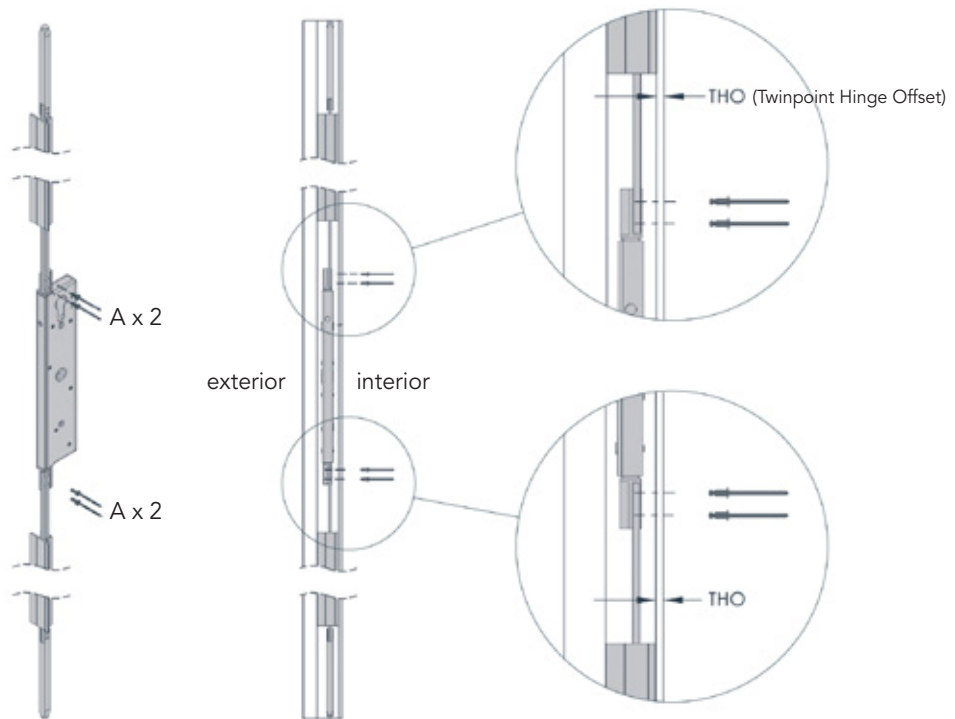
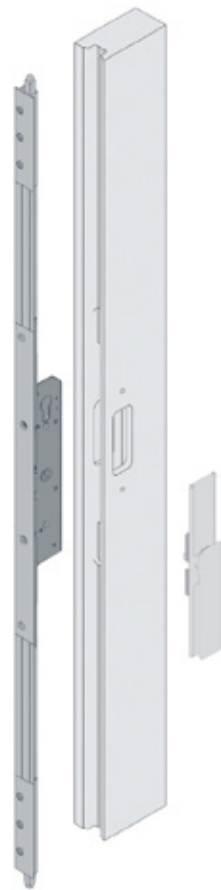
LOCKCALC LT LA.XLS





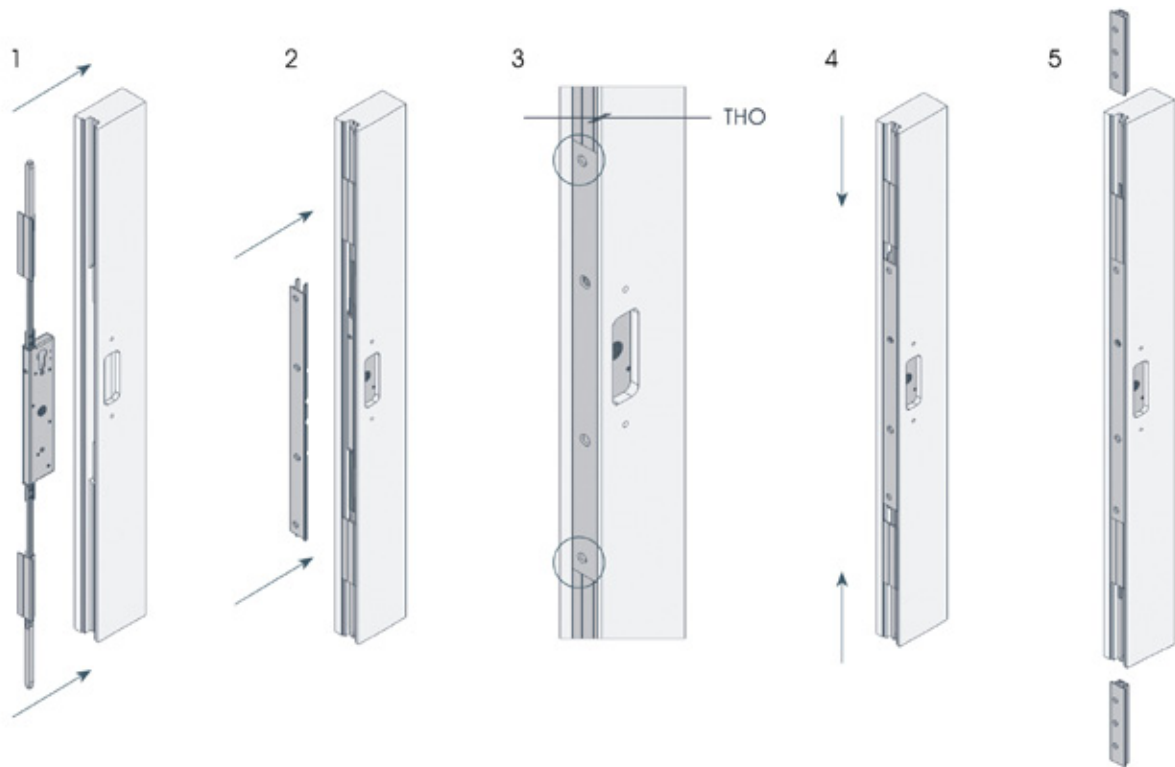
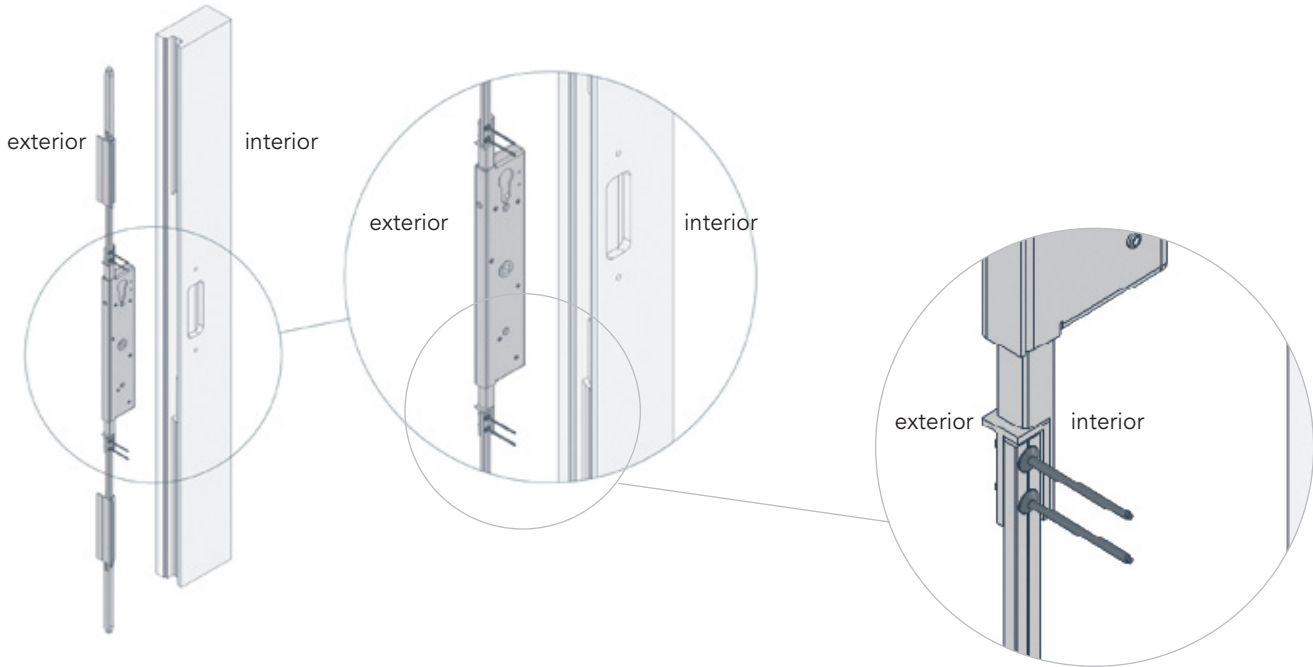
NO SCALE



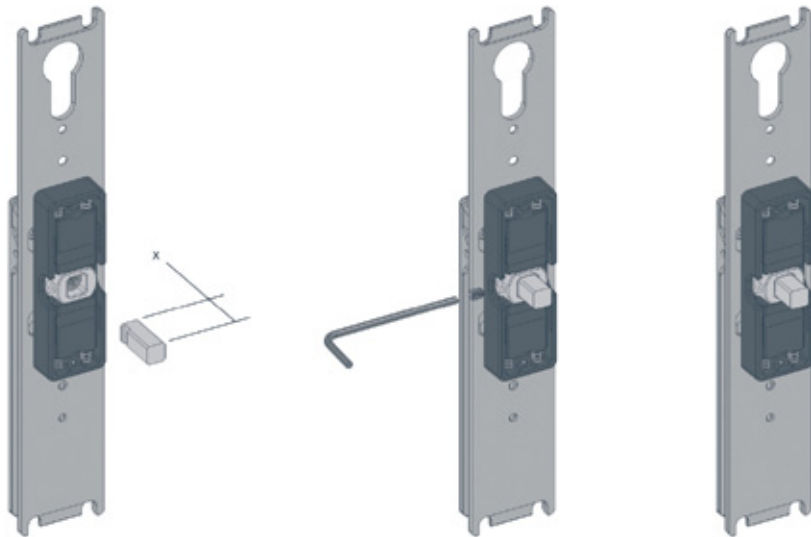


NO SCALE

OUTSWING SYSTEMS ONLY

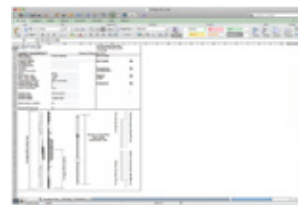


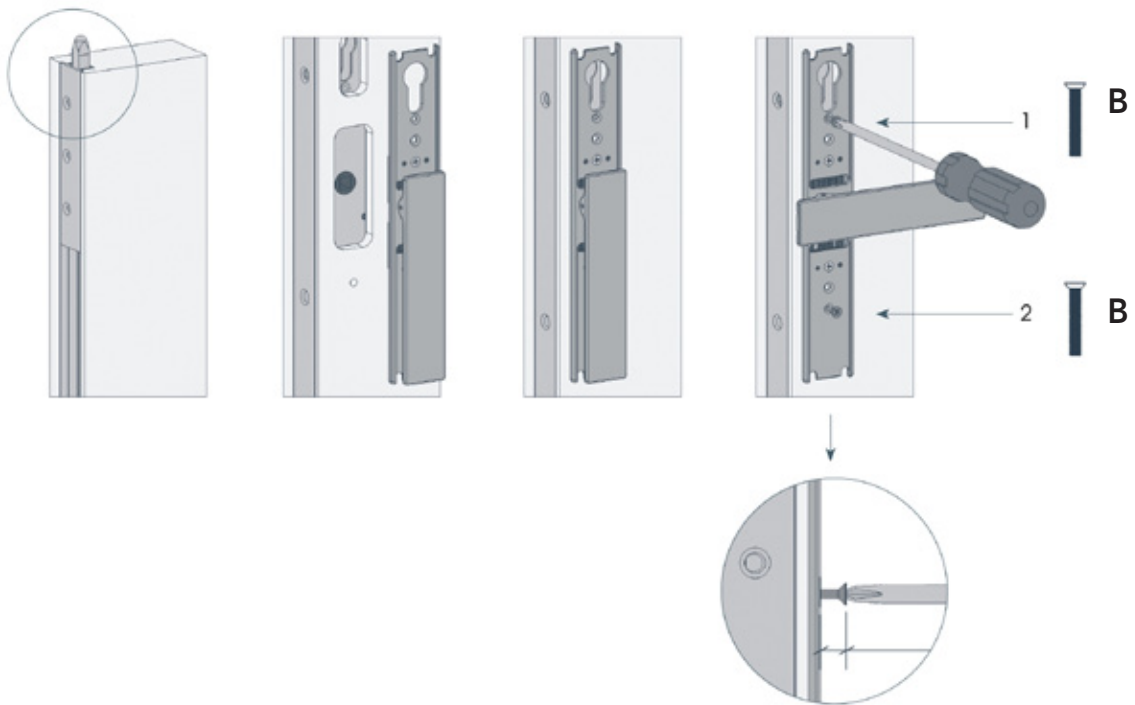
NO SCALE



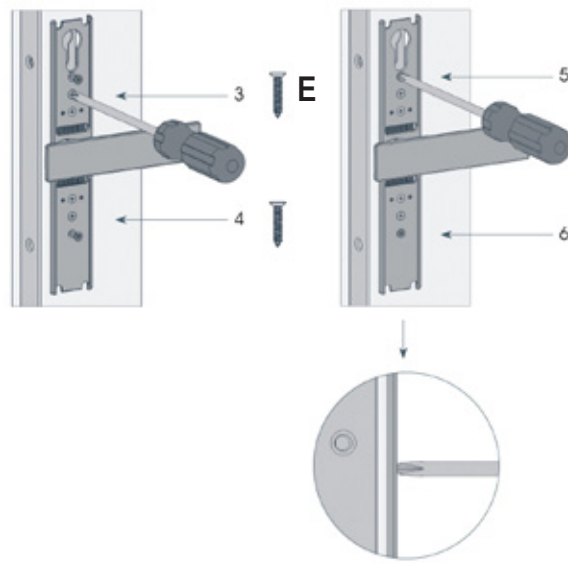
X =	THICKNESS OF DOOR PANEL
25/32" (20mm)	1-3/4" (44.45mm)
1-3/16" (30mm)	2-1/4" (57.15mm)

**LOCKCALC LT LA.XLS**

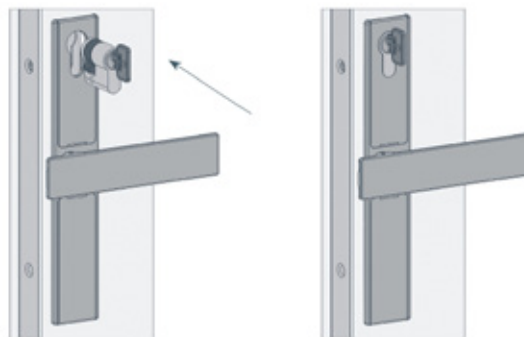


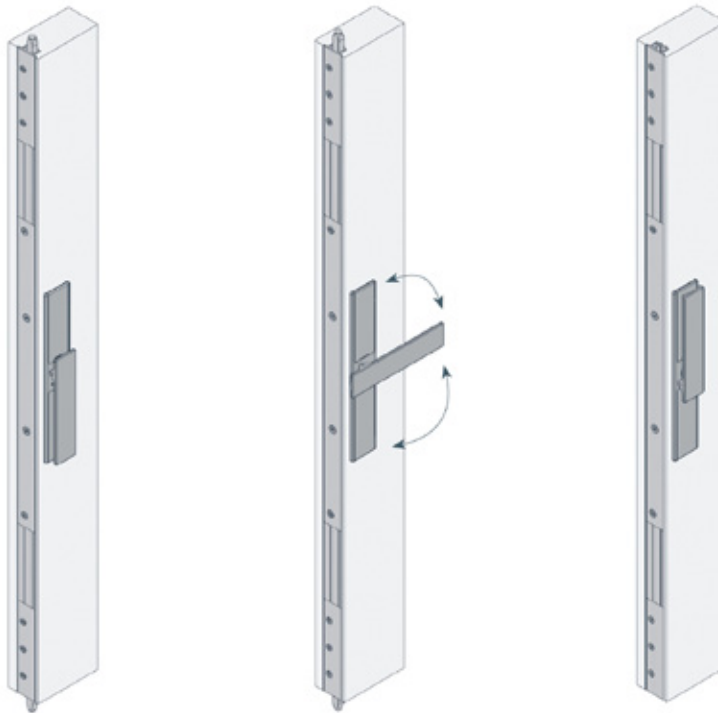
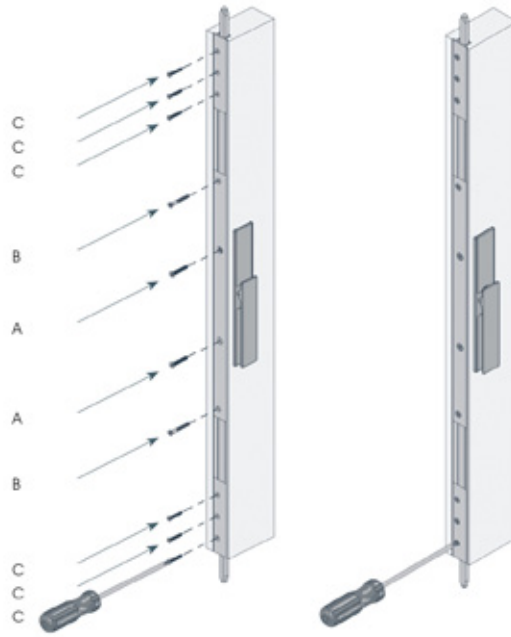


NO SCALE

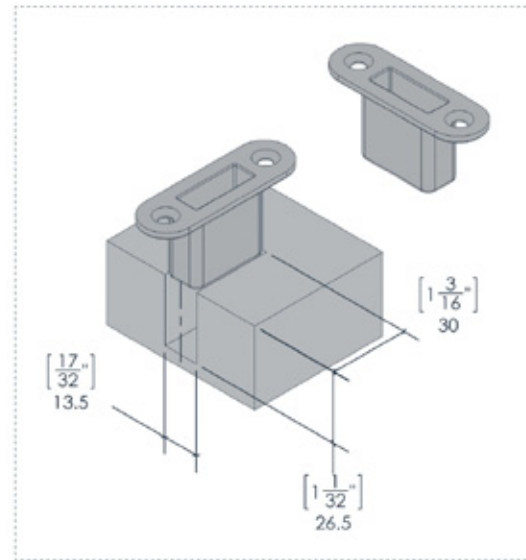
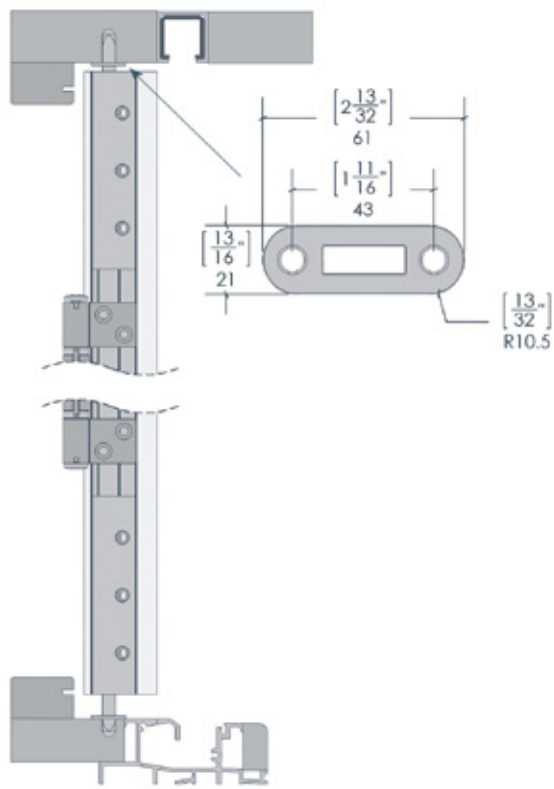


OPTIONAL





NO SCALE





Low profile design allows folding doors to stack neatly

# DS Group

[WWW.THEDSGROUP.COM](http://WWW.THEDSGROUP.COM)

Tomorrow's Innovative Solutions for Today's Doors & Windows

THE DS GROUP OF COMPANIES: DRAFTSEAL, KRISTRACK, ECLIPSE ARCHITECTURAL & DSD HARDWARE

## Head Office & Manufacturing Centre - Vancouver, Canada

7470 Buller Avenue, Burnaby, B.C. V5J 4S5 Canada

Phone: (604) 451-1080 • Fax: (604) 451-1140 • [www.theDSgroup.com](http://www.theDSgroup.com) • [info@theDSgroup.com](mailto:info@theDSgroup.com)

Outside Vancouver, B.C., please use our toll free numbers: Phone: 1-888-520-9009 Fax: 1-800-567-2887

## Branch Office & Manufacturing Centre - Toronto, Canada

1545 Britannia Road East, Unit 25, Mississauga, Ontario L4W 3C6 Canada • Local Fax: (905) 696-9623

## Branch Office & Distribution Centre - Los Angeles, California

7250 Bandini Blvd, Unit 107, Commerce, CA 90040 USA • Local Fax: (323) 246-4760

## Satellite Offices

Oregon & Hawaii, USA

The DS Group is the brand image of A.K. Draft Seal Ltd.