

Eclipse Architectural® DOOR HOLDS

NO SCALE



C3 DOOR HOLD MAGNETS

Prod. # **KTDCAS** Satin Aluminum Finish
 Prod. # **KTDCAOL** Black Finish
 Prod. # **KTDCATG** Brass Finish

SPECIFICATIONS & INSTALLATION INSTRUCTIONS FOR THE ECLIPSE KT740 DOOR HOLD

Application: Exterior Folding Doors

The Eclipse Door Hold is used to secure or hold the active swing door and / or doors in place to prevent possible damage in the event of wind slamming one panel into the next panel.

Product #	Finish	Material	Quantity
KT740DHC	Clear Anodized	Aluminum	(1 Per Pack)
KT740DHQ	Bronze Anodized	Aluminum	(1 Per Pack)

Stainless steel screws supplied with clear anodized unit.

Stainless steel screws (bronze colored) supplied with bronze anodized unit.

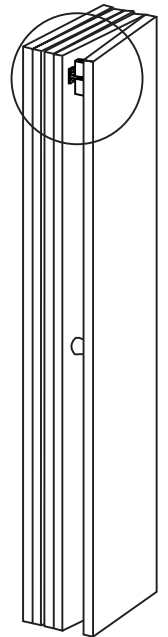
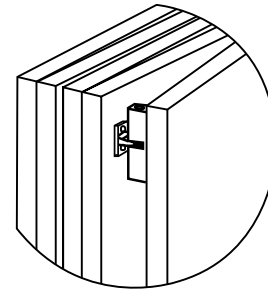
Install unit as shown in picture, typically at the top of the door panels. Centre main unit on door stile, 1 to 2 inches (25 to 50mm) from the top edge of door. Fasten in place with 1-1/2" (38mm) screws supplied. Fold all door panels to one side or both sides (depending on configuration) and align the T-unit with slot into the main unit and fasten in place with 1-1/2" (38mm) screws supplied. Adjust tension screws accordingly and lock in place with set screws (1/8" allen key supplied). Make sure the adjustment tension screws are evenly balanced; this will ensure that the T-unit slides into the slot of the main unit evenly.

KT740DHC

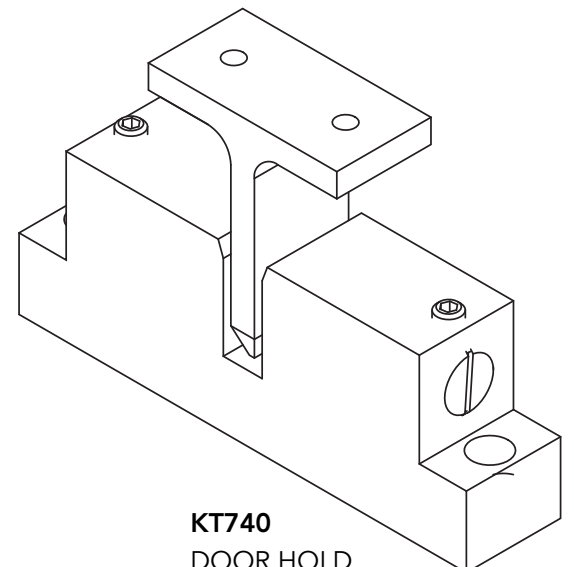
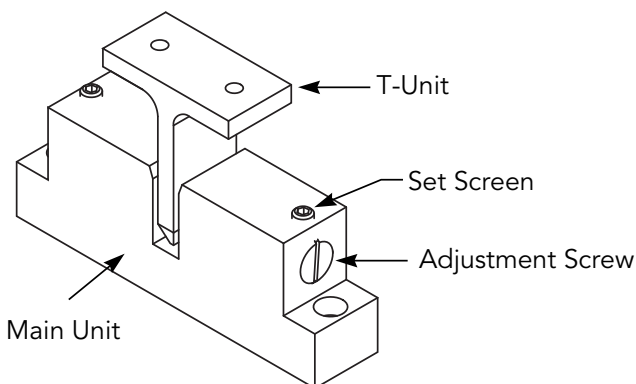
Clear Anodized

KT740DHQ

Bronze Anodized



ECLIPSE DOOR HOLD

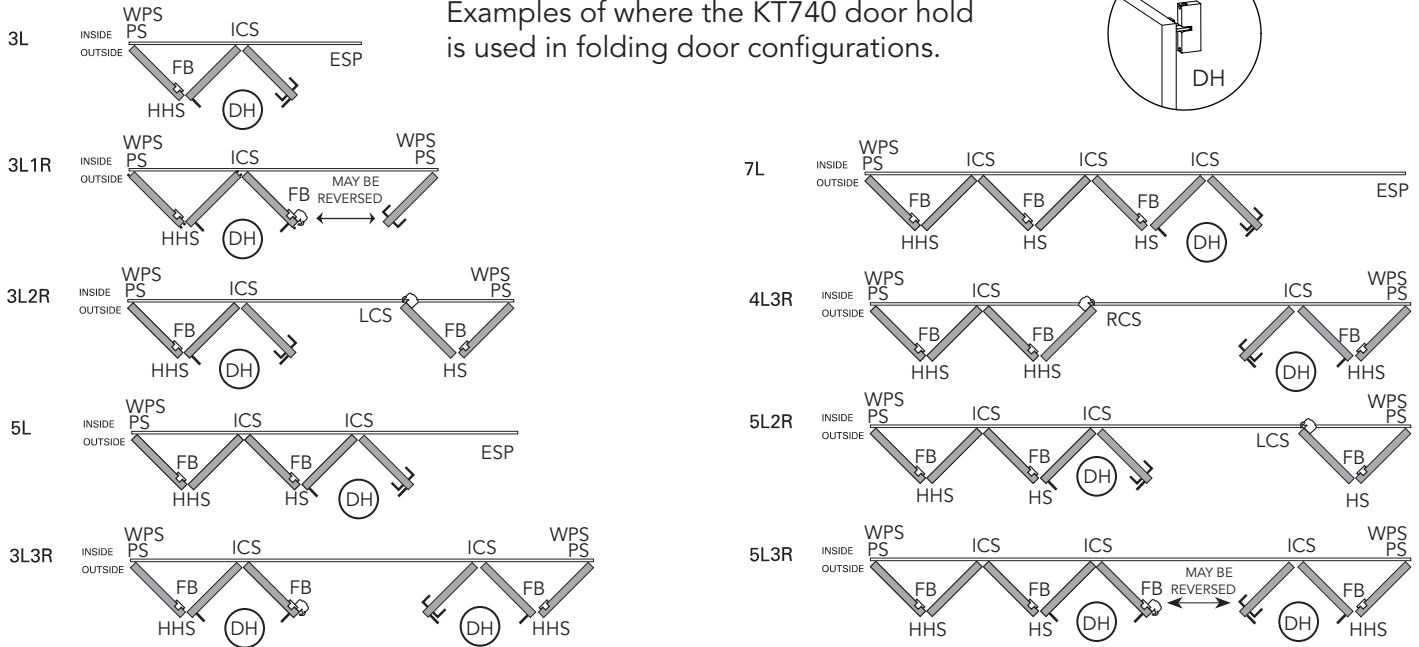
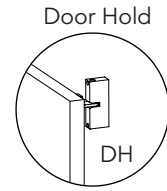


KT740
DOOR HOLD

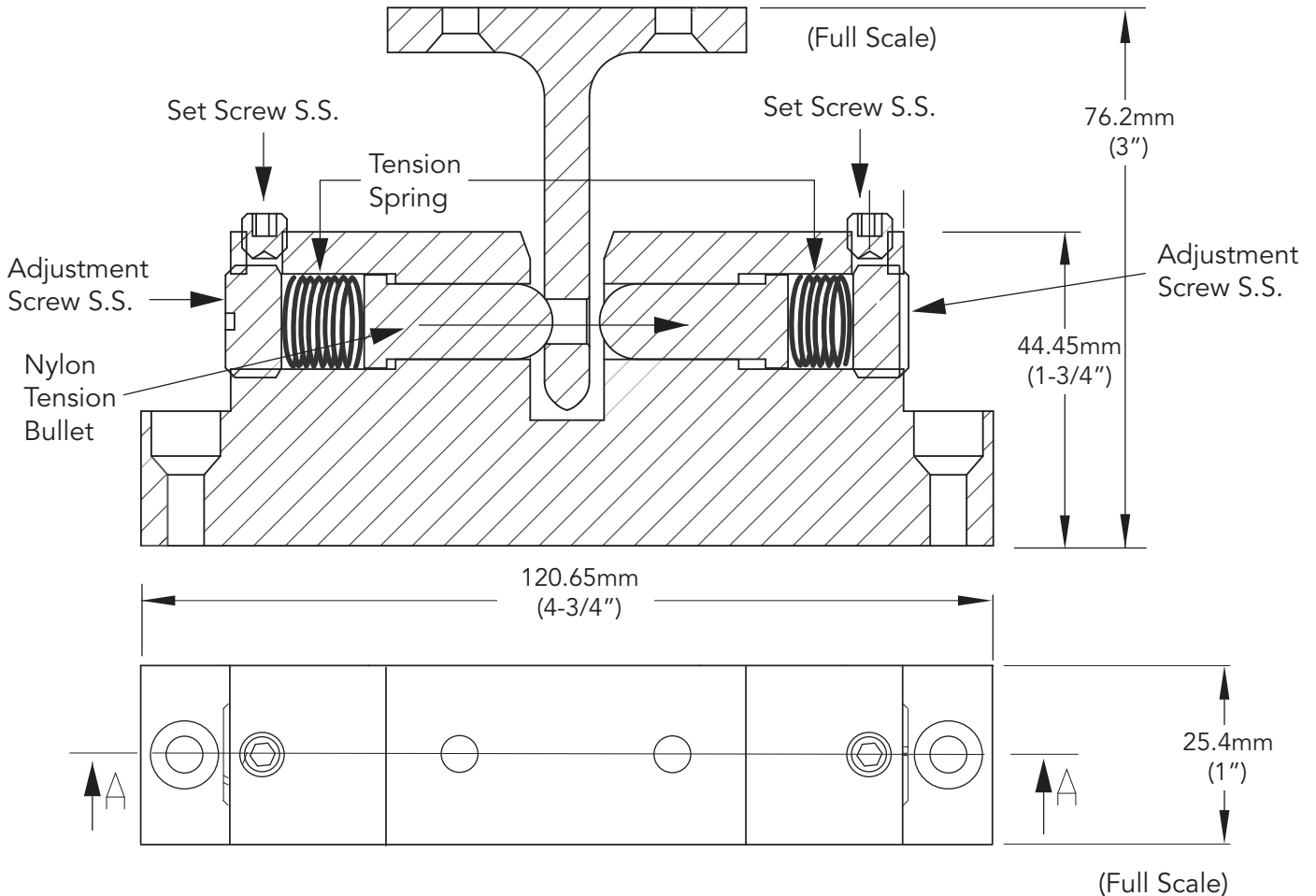
Eclipse Architectural® DOOR HOLDS

KT740 DOOR HOLD EXAMPLES

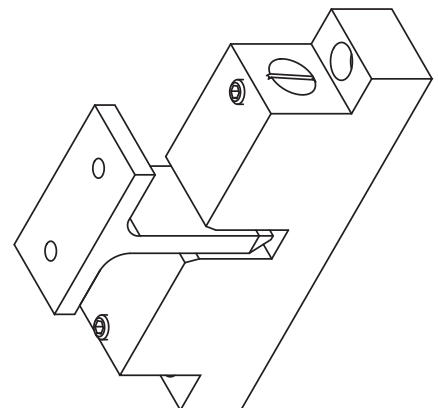
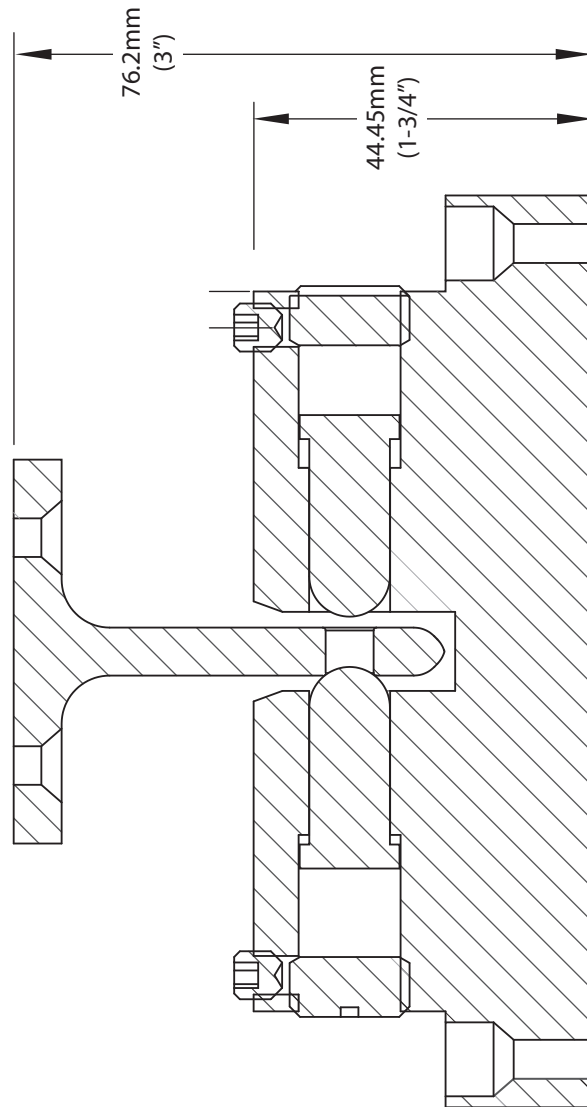
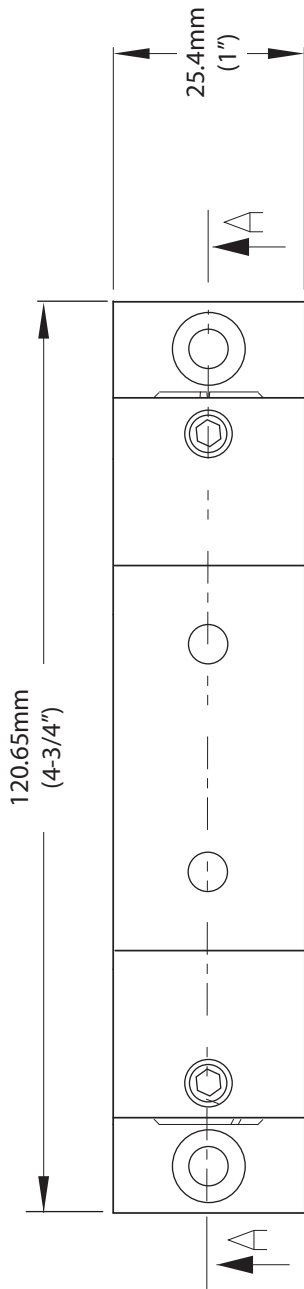
Examples of where the KT740 door hold is used in folding door configurations.



KT740 DOOR HOLD SPECIFICATIONS



KT740 DOOR HOLD SPECIFICATIONS



**BIRD'S EYE VIEW OR TOP DOWN VIEW
3L CONFIGURATION SHOWING KT740 DOOR HOLD**

