

# DSD Hardware

*lever lock sets*



Ferraro  
series



Florence  
series



Faenza  
series

**DS**Group

[www.theDSgroup.com](http://www.theDSgroup.com)

Tomorrow's Innovative Solutions for Today's Doors & Windows

The DS Group Of Companies: Draftseal®, Kristrack®, Eclipse Architectural® & DSD Hardware

# Ferraro 1 Series (available soon)

Non handed • Fits 1-3/4" (44.45mm) Door Thickness

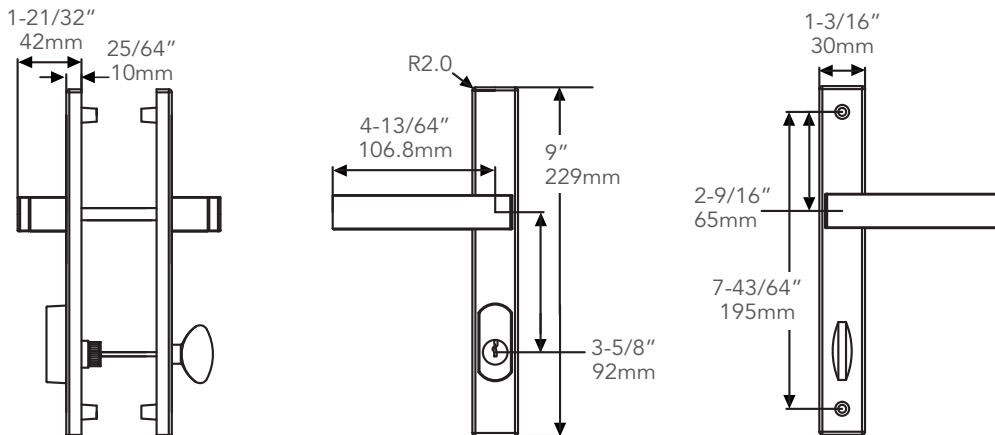
Fits 2-1/4" (57.15mm) Door Thickness • Active or Inactive sets • Schlage Key way or Euro-cylinder

## Ferraro-1 Lever Lock Set

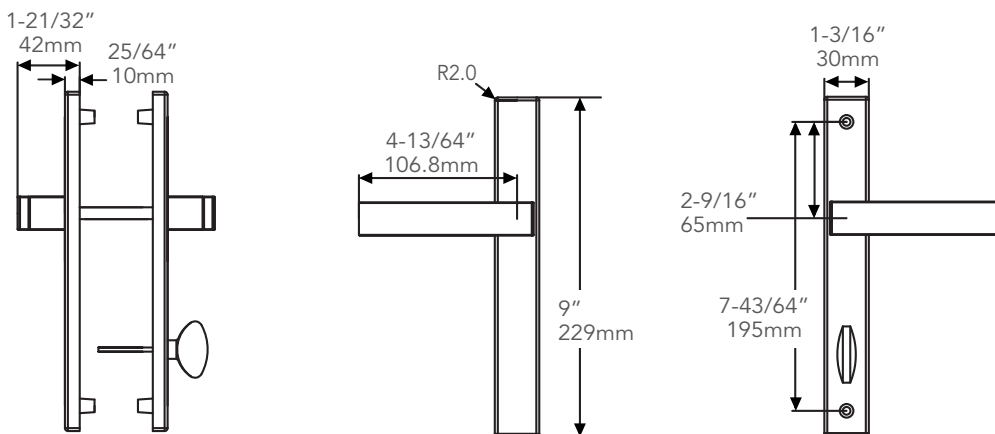
(316SS-Brushed) Forged 316 Grade Stainless Steel • Ferraro Back Plate 30mm (Active or Inactive Sets)



### Active Set



### Inactive Set (may be converted to dummy set)



**NOTE:** All lever sets are used in conjunction with the Multipoint Door Lock, also available from DSD Hardware.

# Ferraro 2 Series

Non handed • Fits 1-3/4" (44.45mm) Door Thickness

Fits 2-1/4" (57.15mm) Door Thickness • Active or Inactive sets • Schlage Key way or Euro-cylinder

## Ferraro-2 Lever Lock Sets

4 Finishes available, all solid brass construction



**White Powder Coat**  
 DSPF1341-03W (active)  
 DSPF1342-03W (inactive)



**Satin Aluminum**  
 DSPF1341-87SC (active)  
 DSPF1342-87SC (inactive)

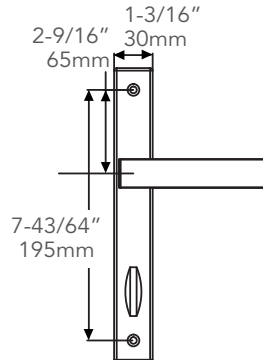
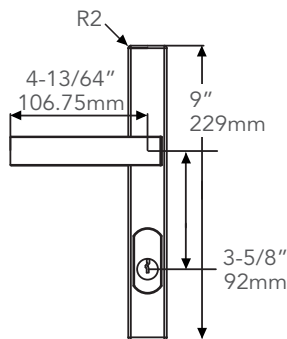
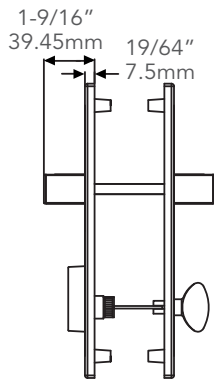


**Black Powder Coat**  
 DSPF1341-06BL (active)  
 DSPF1342-06BL (inactive)

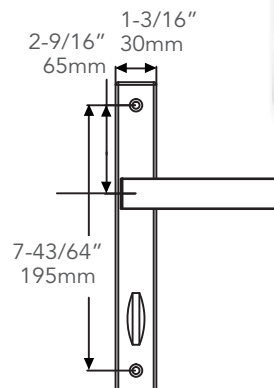
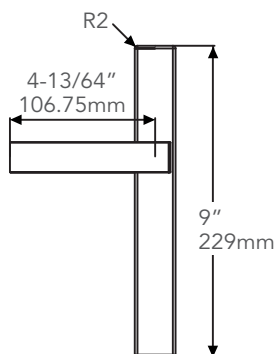
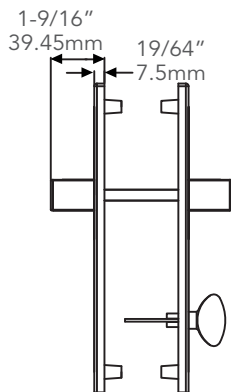


**Bronze Powder Coat**  
 DSPF1341-79BR (active)  
 DSPF1342-79BR (inactive)

### Active Set



### Inactive Set (may be converted to dummy set)



**NOTE:** All lever sets are used in conjunction with the Multipoint Door Lock, also available from DSD Hardware.

# Florence Series (scrolled)

Non handed • Fits 1-3/4" (44.45mm) Door Thickness

Fits 2-1/4" (57.15mm) Door Thickness • Active or Inactive sets • Schlage Key way or Euro-cylinder



**Brass**  
DSPF1111-32 (active)  
DSPF1112-32 (inactive)

**Bronze Powder Coat**  
DSPF1111-79 (active)  
DSPF1112-79 (inactive)

**Satin Nickel**  
DSPF1111-78 (active)  
DSPF1112-78 (inactive)



**Antique Nickel**  
DSPF1111-88 (active)  
DSPF1112-88 (inactive)



**Antique Brass**  
DSPF1111-80 (active)  
DSPF1112-80 (inactive)



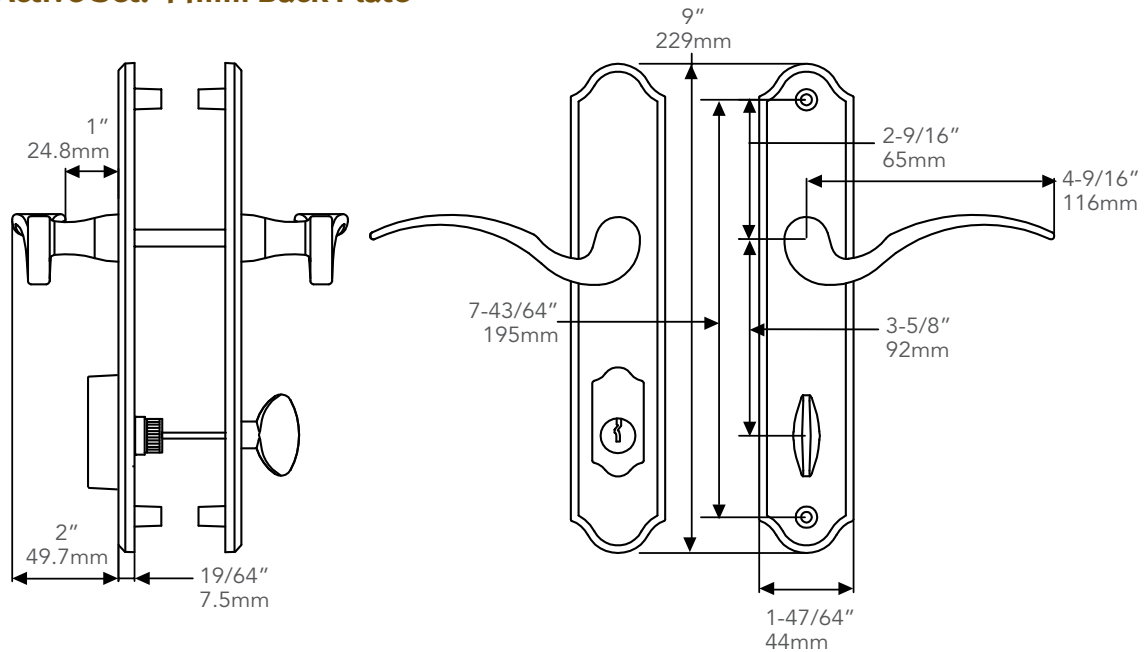
**NOTE:** All lever sets are used in conjunction with the Multipoint Door Lock, also available from DSD Hardware.

# Florence Series (scrolled)

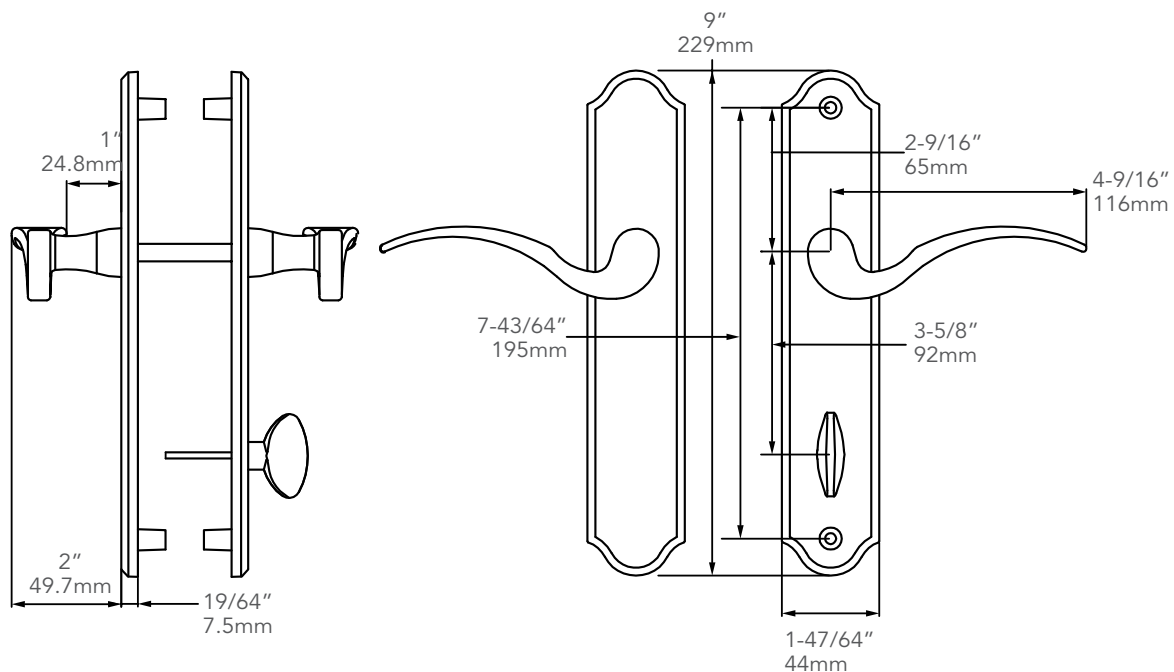
Non handed • Fits 1-3/4" (44.45mm) Door Thickness

Fits 2-1/4" (57.15mm) Door Thickness • Active or Inactive sets • Schlage Key way or Euro-cylinder

## Active Set: 44mm Back Plate



## Inactive Set (may be converted to dummy set)



**NOTE:** All lever sets are used in conjunction with the Multipoint Door Lock, also available from DSD Hardware.



# Faenza Series (swept)

Non handed • Fits 1-3/4" (44.45mm) Door Thickness

Fits 2-1/4" (57.15mm) Door Thickness • Active or Inactive sets • Schlage Key way or Euro-cylinder



## Satin Nickel

DSPF1221-78 (active)  
DSPF1222-78 (inactive)



## Antique Brass

DSPF1221-80 (active)  
DSPF1222-80 (inactive)



## Antique Nickel

DSPF1221-88 (active)  
DSPF1222-88 (inactive)



## Brass

DSPF1221-32 (active)  
DSPF1222-32 (inactive)



## Bronze Powder Coat

DSPF1221-79 (active)  
DSPF1222-79 (inactive)



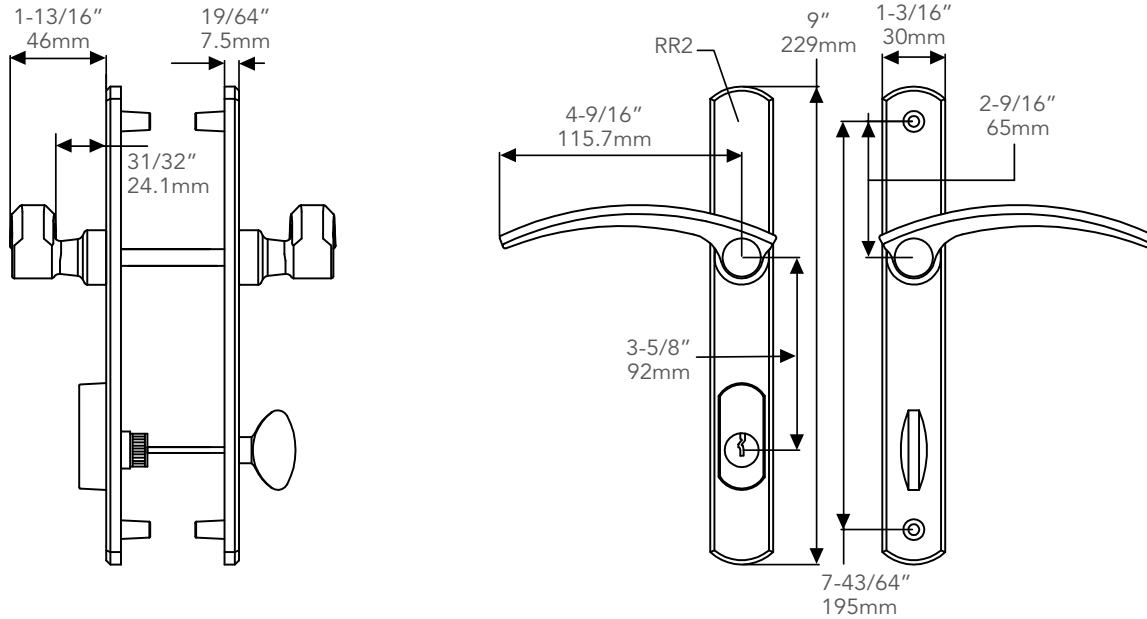
**NOTE:** All lever sets are used in conjunction with the Multipoint Door Lock, also available from DSD Hardware.

# Faenza Series (swept)

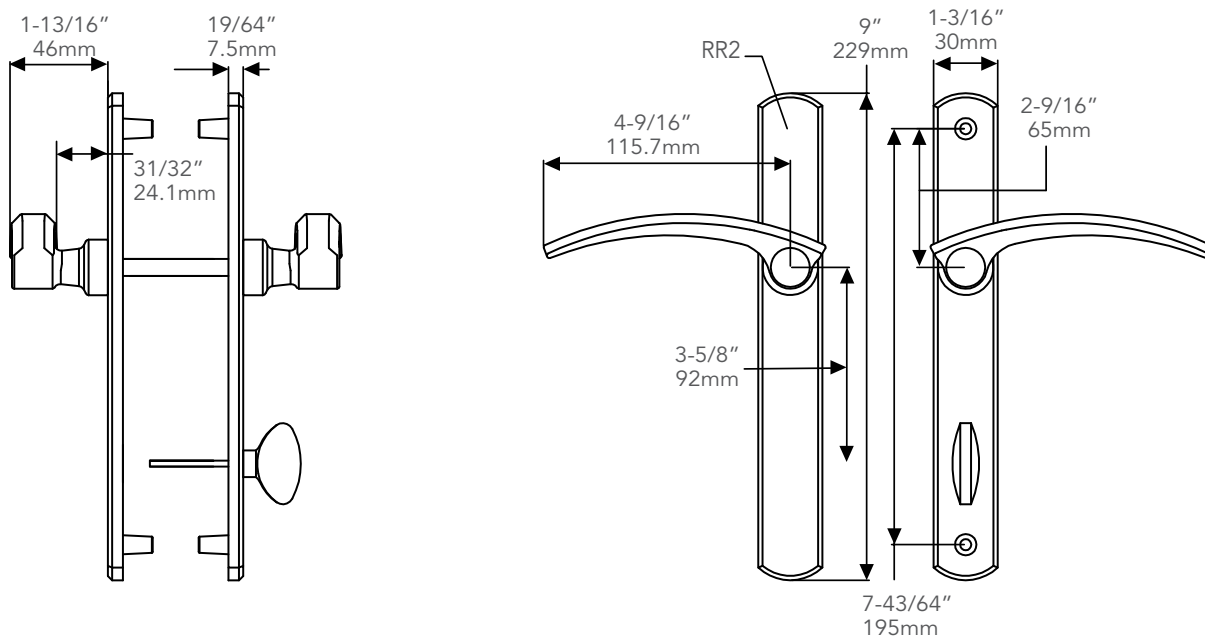
Non handed • Fits 1-3/4" (44.45mm) Door Thickness

Fits 2-1/4" (57.15mm) Door Thickness • Active or Inactive sets • Schlage Key way or Euro-cylinder

## Active Set: 30mm Back Plate



## Inactive Set (may be converted to dummy set)



**NOTE:** All lever sets are used in conjunction with the Multipoint Door Lock, also available from DSD Hardware.



# DS Group

[www.theDSgroup.com](http://www.theDSgroup.com)

**Tomorrow's Innovative Solutions for Today's Doors & Windows**

**The DS Group Of Companies: Draftseal®, Kristrack®, Eclipse Architectural® & DSD Hardware**

---

**Head Office & Manufacturing Centre - Vancouver, Canada**

7470 Buller Avenue, Burnaby, B.C. V5J 4S5 Canada

Phone: (604) 451-1080 • Fax: (604) 451-1140 • [info@theDSgroup.com](mailto:info@theDSgroup.com)

Outside Vancouver, B.C., please use our toll free numbers: Phone: 1-888-520-9009 Fax: 1-800-567-2887

**Branch Office & Manufacturing Centre - Toronto, Canada**

1545 Britannia Road East, Unit 25, Mississauga, Ontario L4W 3C6 Canada • Local Fax: (905) 696-9623

**Branch Office & Distribution Centre - Los Angeles, California**

7250 Bandini Blvd, Unit 107, Commerce, CA 90040 USA • Local Fax: (323) 246-4760

**Satellite Offices**

Oregon & Hawaii, USA

**Eclipse Architectural® Corporate Showrooms**

Vancouver & Toronto, Canada • Los Angeles, California & Honolulu, Hawaii USA

**The DS Group is the brand image of A.K. Draft Seal Ltd.**