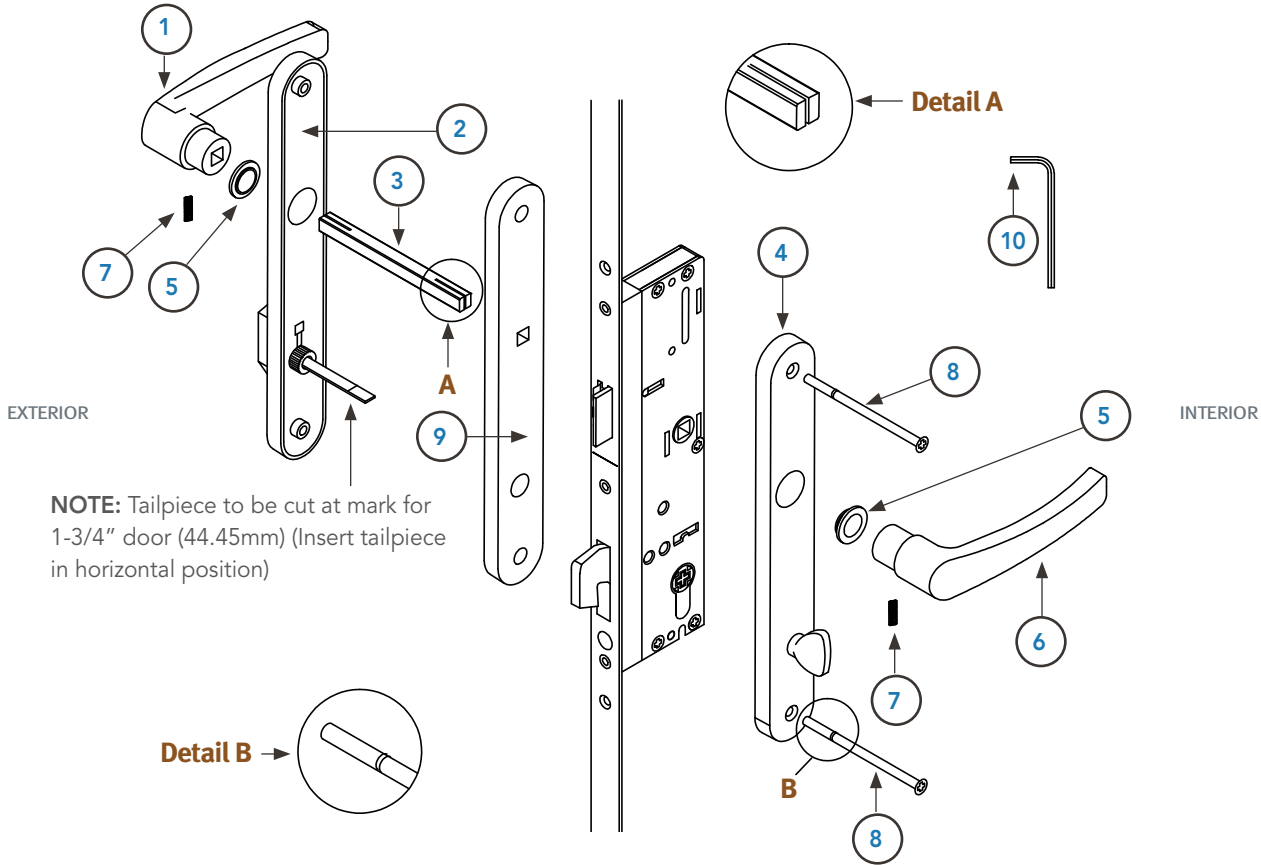


DSD Hardware • Lever Set Details



ITEM	QTY	DESCRIPTION	NOTES
1	1	Left hand lever grip	Grub screw hole to the underside of lever
2	1	External lever back-plate	Insert gasket 9 firmly into Back-plate
3	2	Lever spindle	2 size spindles supplied, to suit 1-3/4" & 2-1/4" door (44.45 & 57.15mm)
4	1	Internal lever Back-plate	-
5	2	Nylon bush	-
6	1	Right hand lever grip	Grub screw hole to the underside of lever
7	2	Allen key grub screw	Screws to be tightened into spindle slot (Detail A)
8	2	M5 x 70mm screws	Screws to be cut at mark to suit 1-3/4" door (Detail B)
9	1	External gasket seal	Insert gasket firmly into external Back-plate
10	1	Allen key	-

Head Office & Manufacturing Centre - Vancouver, Canada

7470 Buller Avenue, Burnaby, B.C. V5J 4S5 Canada

Ph: (604) 451-1080 • Fax: (604) 451-1140 • info@theDSgroup.com • Outside Vancouver, BC, please use our toll free numbers: Ph: 1-888-520-9009 Fax: 1-800-567-2887

Branch Offices & Manufacturing Centres

Toronto, Canada & Los Angeles, USA

Eclipse Architectural® Corporate Showrooms

Vancouver & Toronto, Canada • Los Angeles, California & Honolulu, Hawaii USA

The DS Group is the brand image of A.K. Draft Seal Ltd.